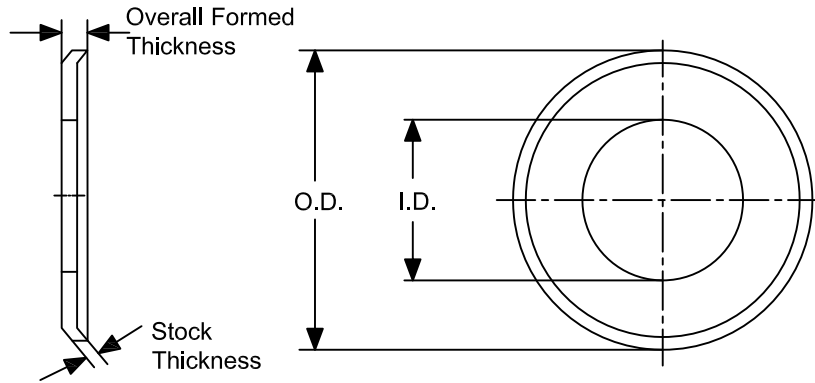


- 
1. All Flanges suitable for bar Stock are available upon request.
  2. When ordering bar Stock please do not forget to order flanges.
  3. Available in all types of material.

0.080" (MXL) PITCH

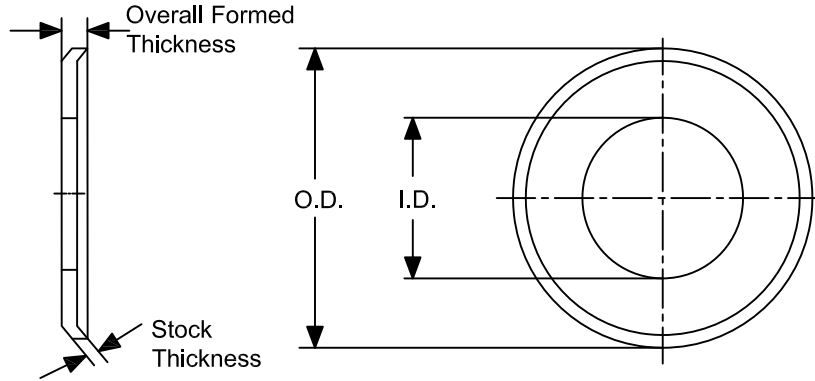
ALUMINUM



Part Number	Diameters		Thickness	
	inside	Outside	Stock	Overall Formed
10MP-FA	0.188	0.425	0.025	0.045
11MP-FA	0.214	0.450	0.025	0.045
12MP-FA	0.218	0.480	0.025	0.045
13MP-FA	0.244	0.505	0.025	0.045
14MP-FA	0.270	0.530	0.025	0.045
15MP-FA	0.296	0.555	0.025	0.045
16MP-FA	0.322	0.580	0.025	0.045
18MP-FA	0.374	0.635	0.032	0.052
20MP-FA	0.426	0.685	0.032	0.052
21MP-FA	0.452	0.710	0.032	0.052
22MP-FA	0.452	0.740	0.032	0.052
24MP-FA	0.504	0.790	0.032	0.052
25MP-FA	0.530	0.815	0.032	0.052
26MP-FA	0.556	0.840	0.032	0.052
28MP-FA	0.574	0.895	0.032	0.052
30MP-FA	0.626	0.945	0.032	0.052
32MP-FA	0.678	1.000	0.032	0.052
33MP-FA	0.704	1.025	0.032	0.052
34MP-FA	0.722	1.050	0.032	0.052
35MP-FA	0.748	1.080	0.032	0.052
36MP-FA	0.774	1.105	0.032	0.052
38MP-FA	0.826	1.155	0.032	0.052
40MP-FA	0.874	1.210	0.040	0.060
42MP-FA	0.926	1.260	0.040	0.060
44MP-FA	0.978	1.315	0.040	0.060
45MP-FA	1.004	1.340	0.040	0.060
48MP-FA	1.058	1.420	0.040	0.060
50MP-FA	1.110	1.470	0.040	0.060
54MP-FA	1.200	1.575	0.040	0.060
60MP-FA	1.356	1.730	0.040	0.060

**1/5" (XL) PITCH**

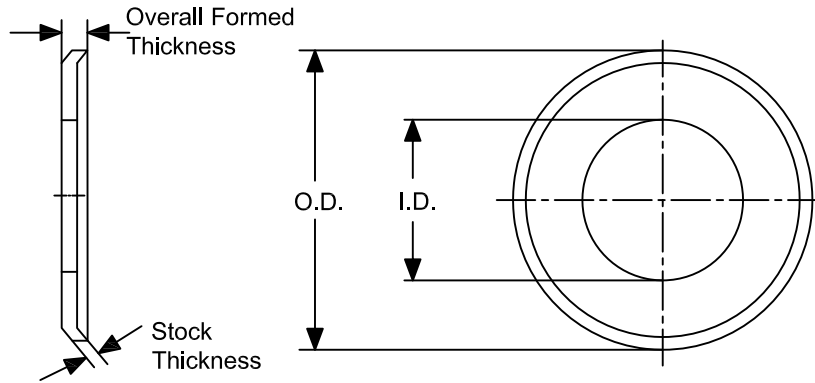
**ALUMINUM/STEEL**



Part Number Aluminum	Part Number Steel	Diameters		Thickness	
		inside	Outside	Stock	Overall Formed
10XL-FA	10XL-FS	0.503	0.503	0.040	0.065
11XL-FA	11XL-FS	0.562	0.562	0.040	0.065
12XL-FA	12XL-FS	0.562	0.562	0.040	0.065
13XL-FA	13XL-FS	0.625	0.625	0.040	0.065
14XL-FA	14XL-FS	0.684	0.684	0.040	0.065
15XL-FA	15XL-FS	0.748	0.748	0.040	0.065
16XL-FA	16XL-FS	0.810	0.810	0.040	0.065
17XL-FA	17XL-FS	0.887	0.887	0.040	0.065
18XL-FA	18XL-FS	0.936	0.936	0.040	0.065
19XL-FA	19XL-FS	1.000	1.000	0.040	0.065
20XL-FA	20XL-FS	1.062	1.062	0.040	0.065
21XL-FA	21XL-FS	1.125	1.125	0.040	0.065
22XL-FA	22XL-FS	1.160	1.160	0.040	0.065
23XL-FA	23XL-FS	1.222	1.222	0.040	0.065
24XL-FA	24XL-FS	1.222	1.222	0.040	0.065
25XL-FA	25XL-FS	1.250	1.250	0.040	0.065
26XL-FA	26XL-FS	1.347	1.347	0.040	0.065
28XL-FA	28XL-FS	1.425	1.425	0.040	0.065
30XL-FA	30XL-FS	1.550	1.550	0.040	0.065
32XL-FA	32XL-FS	1.675	1.675	0.040	0.065

**3/8" (L) PITCH**

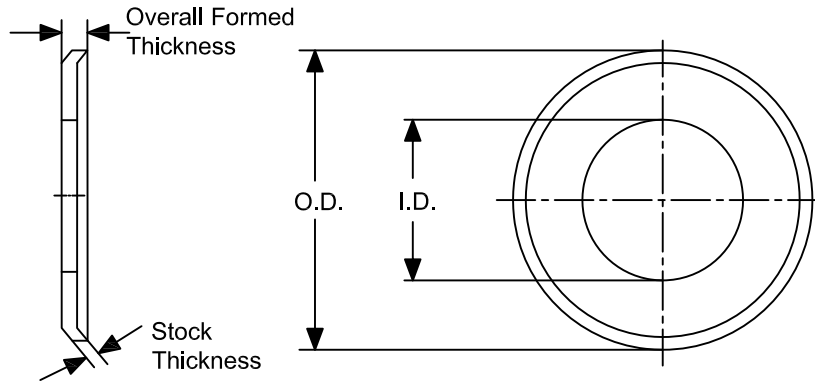
**ALUMINUM/STEEL**



Part Number Aluminum	Part Number Steel	Diameters		Stock Thickness
		inside	Outside	
10L-FA	10L-FS	0.976	1.438	0.060
11L-FA	11L-FS	1.101	1.531	0.060
12L-FA	12L-FS	1.226	1.658	0.060
13L-FA	13L-FS	1.276	1.781	0.060
14L-FA	14L-FS	1.401	1.906	0.060
15L-FA	15L-FS	1.521	2.031	0.060
16L-FA	16L-FS	1.579	2.125	0.060
17L-FA	17L-FS	1.701	2.250	0.060
18L-FA	18L-FS	1.824	2.375	0.060
19L-FA	19L-FS	1.910	2.500	0.060
20L-FA	20L-FS	2.035	2.625	0.060
21L-FA	21L-FS	2.120	2.750	0.060
22L-FA	22L-FS	2.241	2.875	0.060
24L-FA	24L-FS	2.375	3.094	0.060
25L-FA	25L-FS	2.610	3.330	0.060
26L-FA	26L-FS	2.692	3.800	0.060
28L-FA	28L-FS	2.942	3.566	0.060
30L-FA	30L-FS	3.067	4.044	0.060
32L-FA	32L-FS	3.254	4.520	0.060
36L-FA	36L-FS	3.629	4.997	0.060
40L-FA	40L-FS	4.004	4.520	0.060
44L-FA	44L-FS	4.504	5.474	0.060
48L-FA	48L-FS	5.004	5.950	0.060

1/2" (H) PITCH

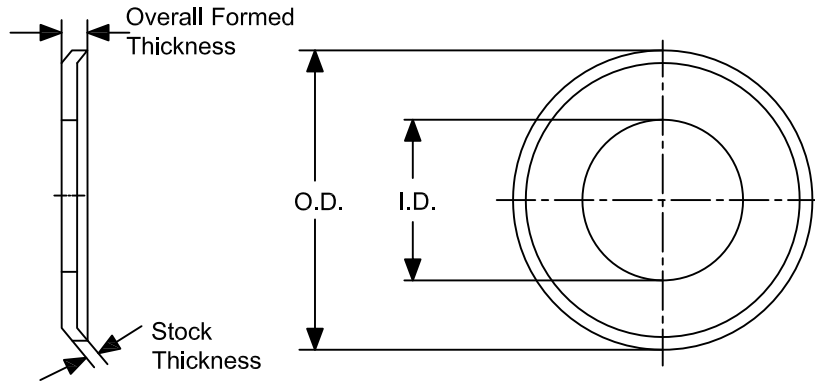
**ALUMINUM/STEEL**



Part Number Aluminum	Part Number Steel	Diameters		Stock Thickness
		inside	Outside	
14H-FA	14H-FS	1.754	2.461	0.090
16H-FA	16H-FS	2.129	2.780	0.090
18H-FA	18H-FS	2.379	3.100	0.090
19H-FA	19H-FS	2.991	3.256	0.090
20H-FA	20H-FS	3.130	3.420	0.090
21H-FA	21H-FS	3.309	3.574	0.090
22H-FA	22H-FS	3.004	3.730	0.090
24H-FA	24H-FS	3.379	4.050	0.090
26H-FA	26H-FS	3.629	4.396	0.090
28H-FA	28H-FS	3.754	4.687	0.090
30H-FA	30H-FS	4.004	5.004	0.090
32H-FA	32H-FS	5.504	5.320	0.090
36H-FA	36H-FS	5.067	5.959	0.090
40H-FA	40H-FS	5.629	6.600	0.090
44H-FA	44H-FS	6.254	6.730	0.090
48H-FA	48H-FS	6.879	7.867	0.090

3MM (HTD®) PITCH

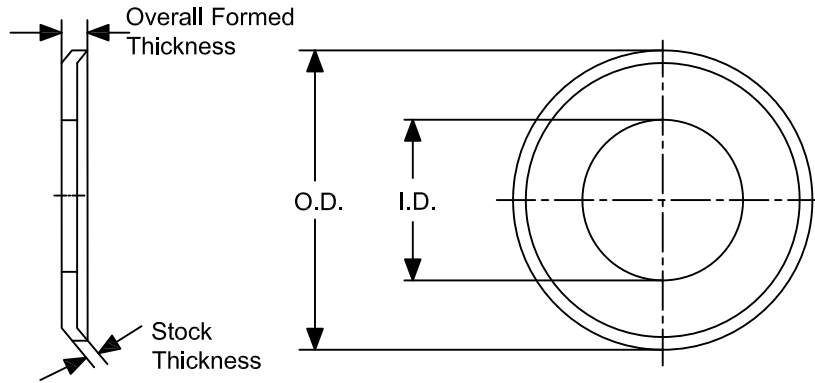
ALUMINUM/STEEL



Part Number Aluminum	Part Number Steel	Diameters		Thickness	
		inside	Outside	Stock	Overall Formed
10-3M-FA	10-3M-FS	0.244	0.505	0.025	0.045
11-3M-FA	11-3M-FS	0.270	0.530	0.025	0.045
12-3M-FA	12-3M-FS	0.322	0.580	0.025	0.045
13-3M-FA	13-3M-FS	0.350	0.610	0.025	0.045
14-3M-FA	14-3M-FS	0.374	0.635	0.032	0.052
15-3M-FA	15-3M-FS	0.426	0.685	0.032	0.052
16-3M-FA	16-3M-FS	0.452	0.710	0.032	0.052
17-3M-FA	17-3M-FS	0.452	0.740	0.032	0.052
18-3M-FA	18-3M-FS	0.504	0.790	0.032	0.052
19-3M-FA	19-3M-FS	0.541	0.827	0.032	0.052
20-3M-FA	20-3M-FS	0.574	0.985	0.032	0.052
22-3M-FA	22-3M-FS	0.626	0.945	0.032	0.052
24-3M-FA	24-3M-FS	0.704	1.025	0.032	0.052
25-3M-FA	25-3M-FS	0.738	1.050	0.032	0.052
26-3M-FA	26-3M-FS	0.774	1.105	0.032	0.052
28-3M-FA	28-3M-FS	0.849	1.173	0.032	0.052
30-3M-FA	30-3M-FS	0.924	1.250	0.032	0.052
32-3M-FA	32-3M-FS	0.999	1.323	0.032	0.052
34-3M-FA	34-3M-FS	1.074	1.398	0.040	0.060
36-3M-FA	36-3M-FS	1.149	1.478	0.040	0.060
38-3M-FA	38-3M-FS	1.225	1.549	0.040	0.060
40-3M-FA	40-3M-FS	1.300	1.625	0.040	0.060
43-3M-FA	43-3M-FS	1.450	1.775	0.040	0.060

**5MM (HTD®) PITCH**

**ALUMINUM/STEEL**



Part Number Aluminum	Part Number Steel	Diameters		Thickness	
		inside	Outside	Stock	Overall Formed
12-5M-FA	12-5M-FS	0.503	0.875	0.040	0.065
13-5M-FA	13-5M-FS	0.562	0.975	0.040	0.065
14-5M-FA	14-5M-FS	0.562	1.000	0.040	0.065
15-5M-FA	15-5M-FS	0.652	1.062	0.040	0.065
16-5M-FA	16-5M-FS	0.084	1.093	0.040	0.065
17-5M-FA	17-5M-FS	0.748	1.187	0.040	0.065
18-5M-FA	18-5M-FS	0.810	1.250	0.040	0.065
19-5M-FA	19-5M-FS	0.887	1.312	0.040	0.065
20-5M-FA	20-5M-FS	0.936	1.375	0.040	0.065
21-5M-FA	21-5M-FS	1.000	1.437	0.040	0.065
22-5M-FA	22-5M-FS	1.062	1500	0.040	0.065
23-5M-FA	23-5M-FS	1.125	1.562	0.040	0.065
24-5M-FA	24-5M-FS	1.160	1.625	0.040	0.065
25-5M-FA	25-5M-FS	1.222	1.687	0.040	0.065
26-5M-FA	26-5M-FS	1.222	1.750	0.040	0.065
28-5M-FA	28-5M-FS	1.347	1.875	0.040	0.065
30-5M-FA	30-5M-FS	1.425	2.000	0.040	0.065
32-5M-FA	32-5M-FS	1550	2.125	0.040	0.065
34-5M-FA	34-5M-FS	1.675	2.250	0.040	0.065